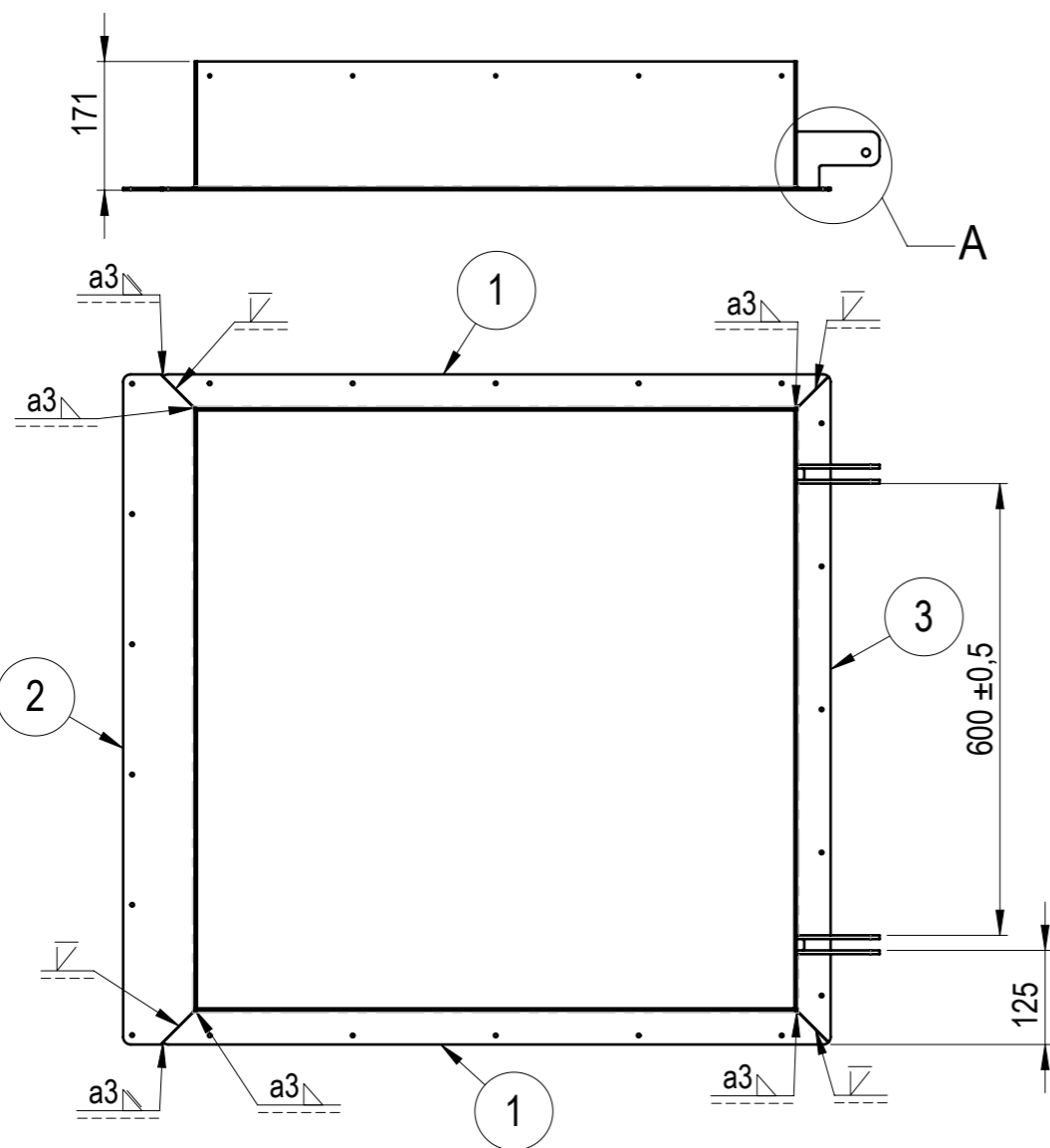
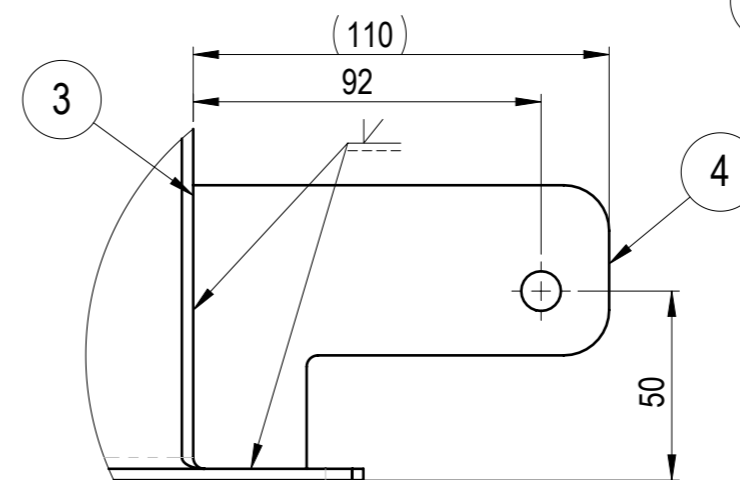


DETAIL A
SCALE: 1 : 2



NO.	PART NO	DESCRIPTION	MATERIAL	PROCESSING	REVISION	WEIGHT	QTY
1	105-30211-01	Hatch frame top & bottom	S355JR	LCB CND		4.05	2
2	105-30211-02	Hatch frame left	S355JR	LCB CND		5.07	1
3	105-30211-03	Hatch frame right	S355JR	LCB CND		3.93	1
4	105-30211-04	Hinge bracket	S355JR	LC		0.22	4

		MATERIAL	WEIGHT	DEBURR AND BREAK SHARP EDGES DO NOT SCALE DRAWING		REVISION	DATE	
		-	17.991 Kg				12.05.2025	
		SURFACE PROTECTION	MACHINING	THERMAL CUTTING	WELDING	SCALE	FORMAT	
		-	ISO 2768 mK	ISO 9013 221	ISO 13920 BF	1:10	A3	
NAME	SIGNATURE	PART NO. 105-30211-00						
Designed by	D. Dislers	DESCRIPTION Hatch frame assembly						
Drawn by	E. Kriviss							
Technical ref.							SHEET 1/1	